

**SPECIFICATIONS\***

Voltage	: 230 V AC 50 Hz	Heat Control	: Rotation - Temp. Knob
Wattage	: 1600 W	Net Weight	: 0.84 kgs approx
Material (Sole Plate)	: Al. Alloy - P.T.F.E Coated	Carton Dimensions	: 270 x 112 x 150 (mm) (L x W x H)

\*Subject to change without prior notice.

**Warranty**

This Glen Iron is fully warranted against any defect arising out of defective materials or faulty workmanship for a period of one year from the date of purchase. Should any defect develop in this product, the customer should bring the product to nearest authorized service centre, where the company undertakes to get the product repaired free of charge.

**Warranty is Not Valid If**

- The use and care instructions have not been followed.
- Defects are caused by accident, misuse, abuse or commercial use.
- Plastic parts are not covered under this warranty.
- The repair work is carried out by persons not authorised by the company.
- Any modification or alteration of any nature is made in the product.
- Normal wear & tear of the product is not covered under warranty.
- The Bill/Cash memo and copy of warranty card is not presented.

Under no circumstances, whether based on limited warranty or otherwise shall the company be liable for incidental, special or consequential damages. Use of product indicates acceptance by you of the aforesaid terms and conditions.

PRODUCT NAME : STEAM IRON      MODEL NO.: GL 8025

SERIAL NO.: \_\_\_\_\_ BILL NO. & DATE: \_\_\_\_\_

NAME OF OWNER: \_\_\_\_\_ ADDRESS: \_\_\_\_\_

\_\_\_\_\_

DEALER'S STAMP & SIGNATURE

**GLEN**

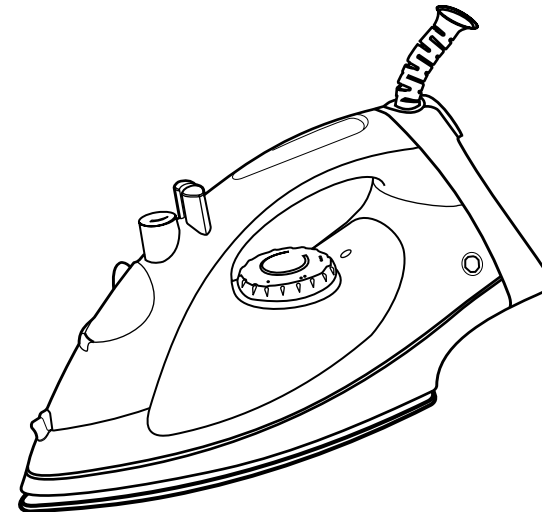
**Glen Appliances P t. Ltd.**  
Head Office : I-34, DLF Industrial Area Phase-I, Faridabad - 121 003  
Helpline : 0129-2254191 Fax : 0129-2274344  
E-mail : info@glenindia.com Website : www.glenindia.com

**GLEN**

Live Better !

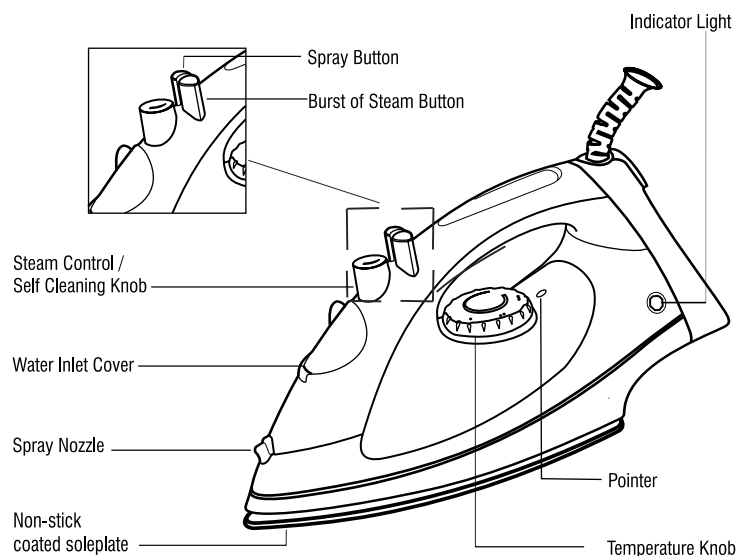
**STEAM IRON**

**GL 8025**





**USER'S GUIDE**

## IDENTIFY YOUR STEAM IRON GL 8025



### USING YOUR STEAM IRON

- Before using the iron for the first time, check and remove any sticker or protective covering from the soleplate.
- Slide the steam control knob to the  marked position. Release the water inlet cover and fill de-mineralised or distilled water through the inlet hole.
- Take care not to fill the water tank above the level marked 'Max'.
- Select and identify the clothes to be ironed. Check for ironing instructions on the garment labels.
- Plug into the mains and switch 'On'.
- Set the temperature knob to the position marked '••••'.
- The pilot light glows indicating that the iron is switched 'On'. The light goes off when the required temperature is reached. The iron is now ready to use.
- Move the steam control knob to the  marked position. The steam starts coming out from the soleplate holes.

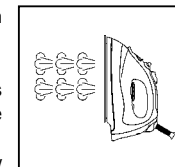
### BURST OF STEAM

- To remove stubborn wrinkles press the burst of steam button. Steam shoots out from the holes of the soleplate.
- For another shot wait for a few seconds, most wrinkles can be removed within three shots.
- Note : It may be necessary to press the burst of steam button a few times to start the function.

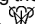


### VERTICAL IRONING

- To remove wrinkles on delicate garments or other fabrics in hanging position, vertical ironing can be very useful.
- To start, set the iron at the max, setting and wait for it to get heated.
- Hold the iron between 15 and 30 cm. away from the garment. Press the burst of steam jet penetrates into the garment removing the wrinkles.
- For stubborn wrinkles repeat the same process after a few seconds.



### DRY IRONING

- The iron can also be used as a dry iron, bypassing the steam function. For this the steam selector knob should be set to the position marked. 
- The temperature knob can be adjusted to the desired temperature in accordance with the clothes being ironed.

### SPRAYING

- This function can be used any time during dry or steam ironing. it sprinkles water on the garment surface during ironing.



### SELF CLEANING

- Fill half the water tank, connect the iron to the mains and set the temperature dial to max setting. Allow the iron to get heated and wait for the pilot light to go off. Unplug and hold the hot iron horizontally over a sink.
- Rotate the knob to self cleaning position. Steam and boiling water drains from the holes on the soleplate washing away the scales and minerals that have built-up in the steam chamber. Gently shake the iron till the water tank is empty. Allow the iron to cool down and reset the knob to the ironing position. Wipe the soleplate with a damp cloth.

Note : Avoid contact with the steam/boiling water falling in the sink.

### SAFETY PRECAUTIONS

- This appliance is not intended for use by persons (including children) with reduced physical, sensory or mental capabilities, or lack of experience and knowledge, unless they have been given supervision or instruction concerning use of the appliances by a person responsible for their safety.
- Do not leave the hot iron unattended even for a short while.
- Do not allow children to use the appliances or touch the appliances when in use.
- The soleplate should always be cleaned with a soft cloth, never use knife, blade or any other sharp object.
- Never immerse the iron in water. Disconnect the iron from the mains when filling or emptying water.
- Remove the remaining water after ironing. Use the self-cleaning function atleast once a month.
- Switch off the steam function when not in use, even for a short period of time.
- Do not add perfume, vinegar or any other chemical into the water tank.
- Do not apply steam on any clothes or fabric worn by human or pets.
- Take care that the mains cord does not touch the hot soleplate.
- Do not use iron if it is damaged.
- Do not use at higher temperatures than those prescribed for different cloth types.
- Always unplug the iron when not in use and take care in storing it.