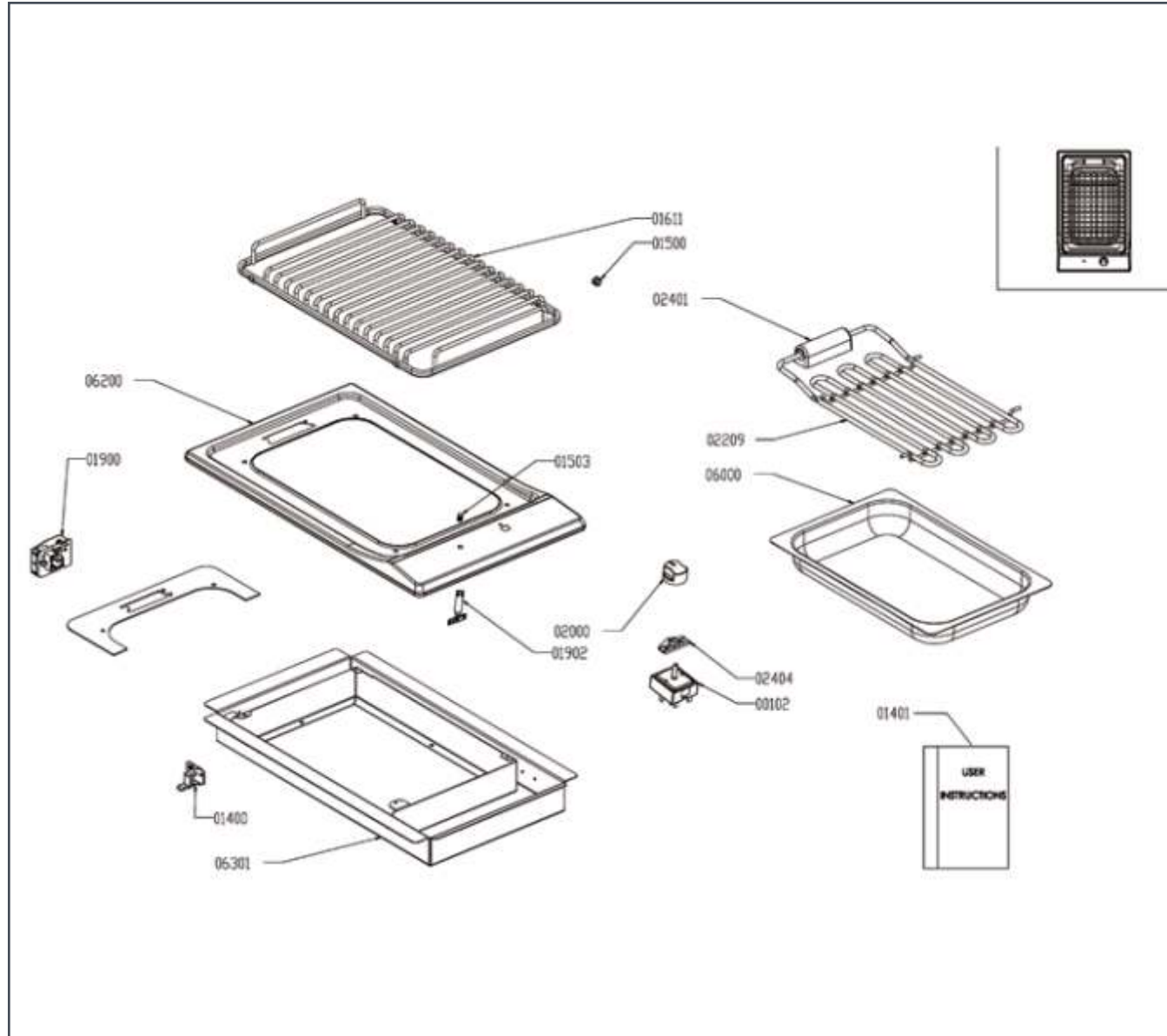


## Built-in Bar Be Cue BHC BBQ 102



Built-in Bar Be Cue BHC BBQ 102		
Ref. No.	Spare Part name	SAP Code
00102	Electric Regulator 240V	002079
01400	Fixing Hooks	821681
01401	User Instructions	010931G
01500	Rubber Feet For Enamel Pan Support	0150018
01503	Led Cover	0150013
01611	Black Ena.grid	0160096
01900	Clamp	0190019
01900	Clamp With Cable	0545031
01902	Led	0010024
02000	Ergo Control Knob Black	0200222
02209	Heating Coil /2400W/240V	0220012
02401	Barbecue Resist.support Nik	0240055
02404	Clamp Fix Cent. X Energy Reg.	0240076
06000	Barbecue Tank	0600632
06200	Cooking Top	0621705
06300	Carter For Barbeque	0630057
06301	Zinked Bottom	0630042