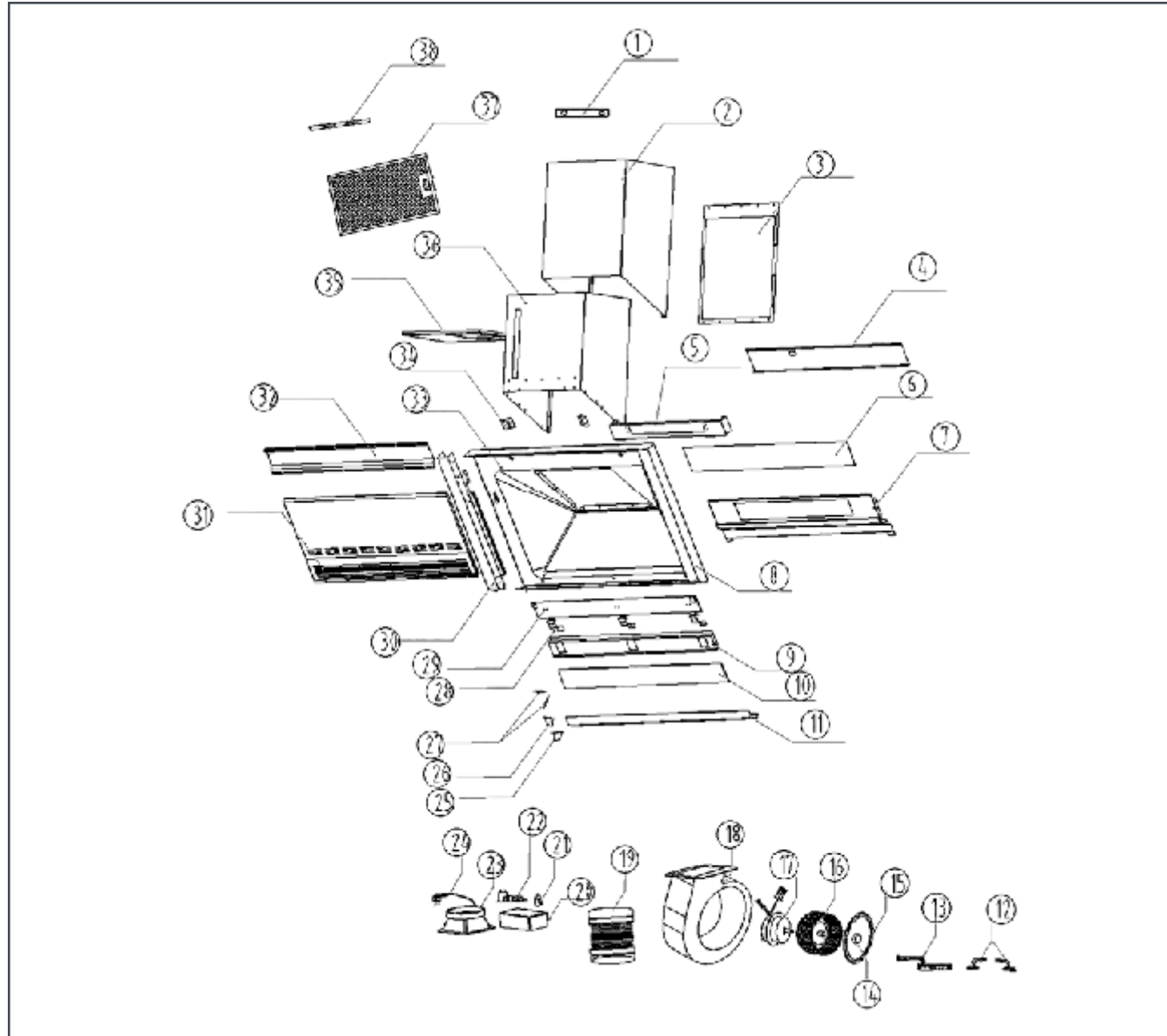


Designer Hood Chimney Carlo a



Designer Hood Chimney Carlo a		
Ref. No.	Spare Part name	SAP Code
1	Hook	
2	Chimney	
3	Rear plate	
4	Insulation plate	
5	Switch board Carlo a	50003278
6	Switch Glass Carlo a	50003279
7	Lighting Frame Carlo a	50003280
8	Right plate	
9	Bottom glass scaleboard	
10	Bottom Glass Carlo a	50003281
11	Oil cup Carlo a	50003282
12	Light Carlo a	50003283
13	Switch Carlo a	50003284
14	Impeller cap	
15	Wind detector Carlo a	50003285
16	Impeller Carlo a	50003286
17	Motor Carlo a	50003287
18	Motor Chamber	
19	Duct pipe	
20	Connection casing	
21	Capacitor Carlo a	50003288
22	PCB Board Carlo a	50003289
23	Outlet	
24	Power Cable	
25	Sealer-R Carlo a	50003290
26	Sealer-L Carlo a	50003291
27	Hook steel	
28	Bottom glass support	
29	Bottom glass plate Carrolla	50003292
30	Le plate	
31	Bubble Filter Carlo a	50003293
32	Filter scaleboard Carlo a	50003294
33	Rear Housing	
34	Switch support	
35	up plate	
36	Inner Chimney	
37	Aluminum Carlo a	50003295
38	Filter support	
PREPARE BY :	APPROVED BY :	
DATE :	DATE :	