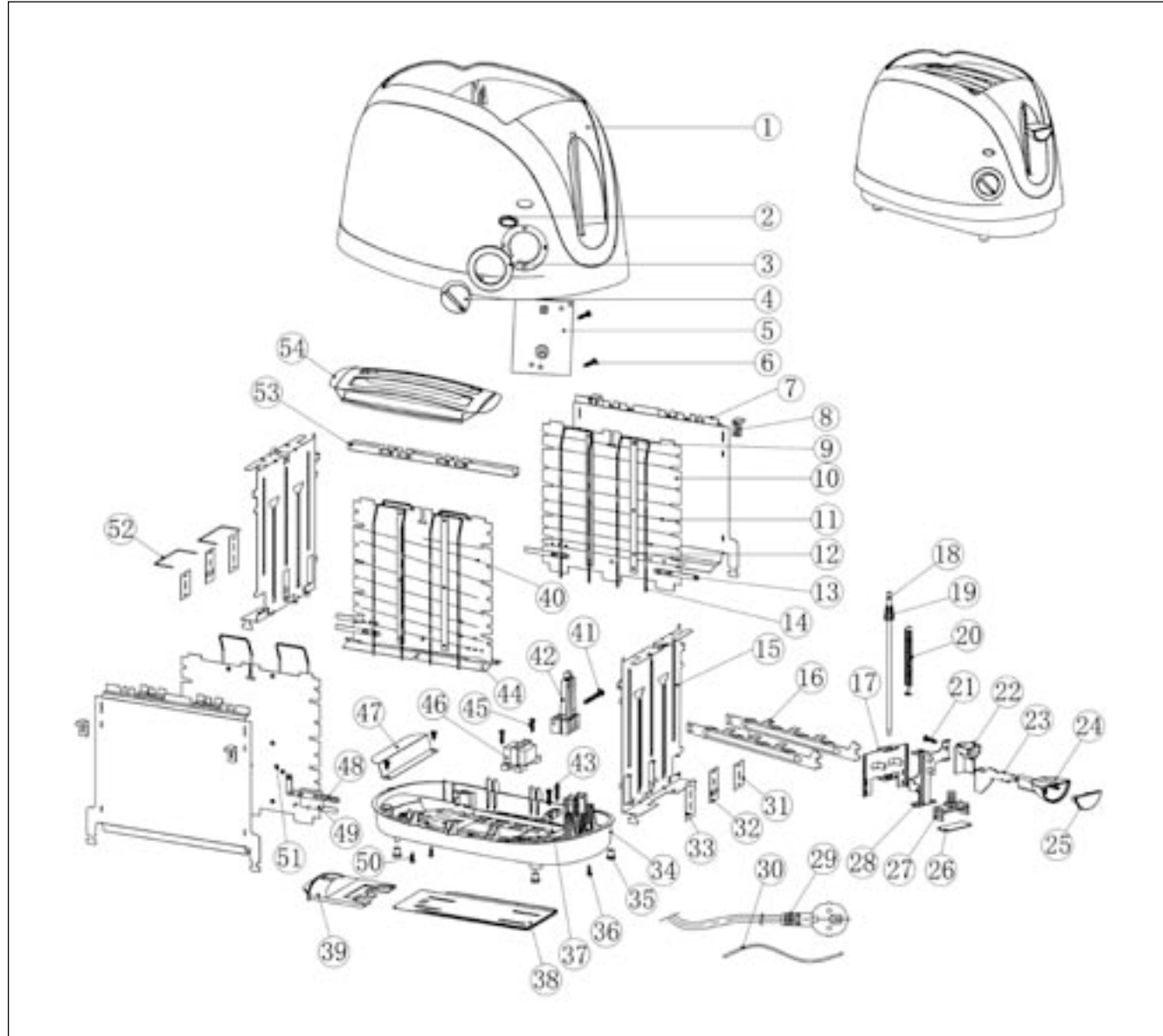


Pop-up-Toaster GL 3015



Pop-up-Toaster GL 3015		
Ref. No.	Spare Part Name	SAP Code
49	Mica plate	
48	L Joint	
47	Block piece	
46	Magnet Discreteness	
44	Support Frame	50002007
42	Switch ASS'Y	50001200
39	Handle Plate	
38	Crumb tray	
37	Strainreleufe	50001342
34	Toast Bottom	
33	Mica connect Plate	50001844
32	(B) Mica (B)	50001295
31	(C) Mica (C)	50001296
29	Power Cord	
25	Handle button	50001827
24	Handle	50001160
17	Bracket holder	50001308
10	Mica plate	50001294
7	Front Rear Plate	50001829
6	Screw	50001327
4	knob	50001161
3	Knob cover	50001213
2	Switch	50001162
1	Main body	50002005