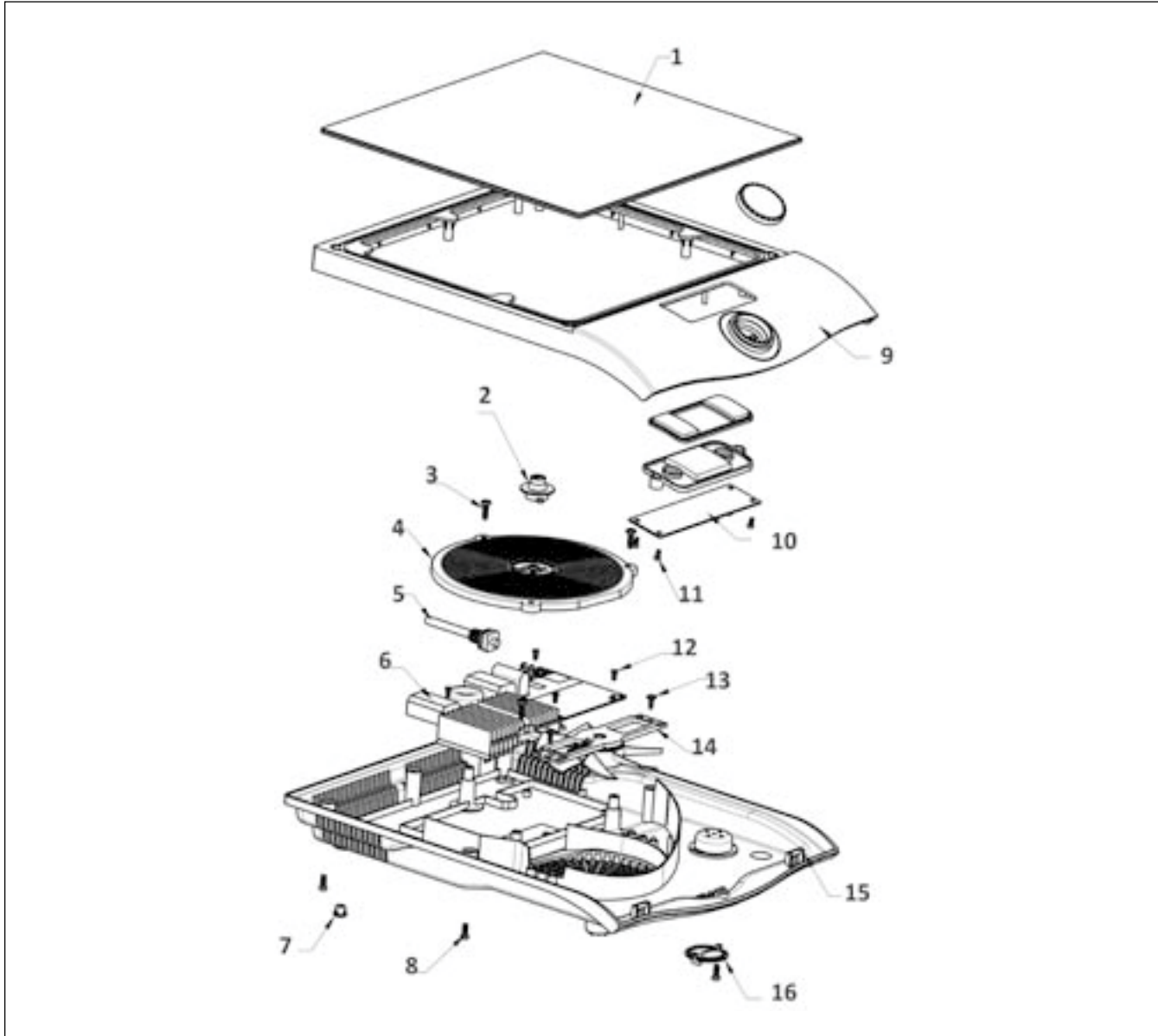


## Induction Cooker GL 3073 TC



Induction Cooker GL 3073 TC		
Ref. No.	Spare Part Name	SAP Code
	Bridge	50002457
	Capacitor 0.3MFD/1200V	50002459
	Capacitor 10MFD/400V	50002461
	Capacitor 5MFD/400V	50002460
4	Coil	50002462
10	Control Panel	50002465
1	Glass Plate	50002463
6	Main Board	50002464
	Transformer	50002458