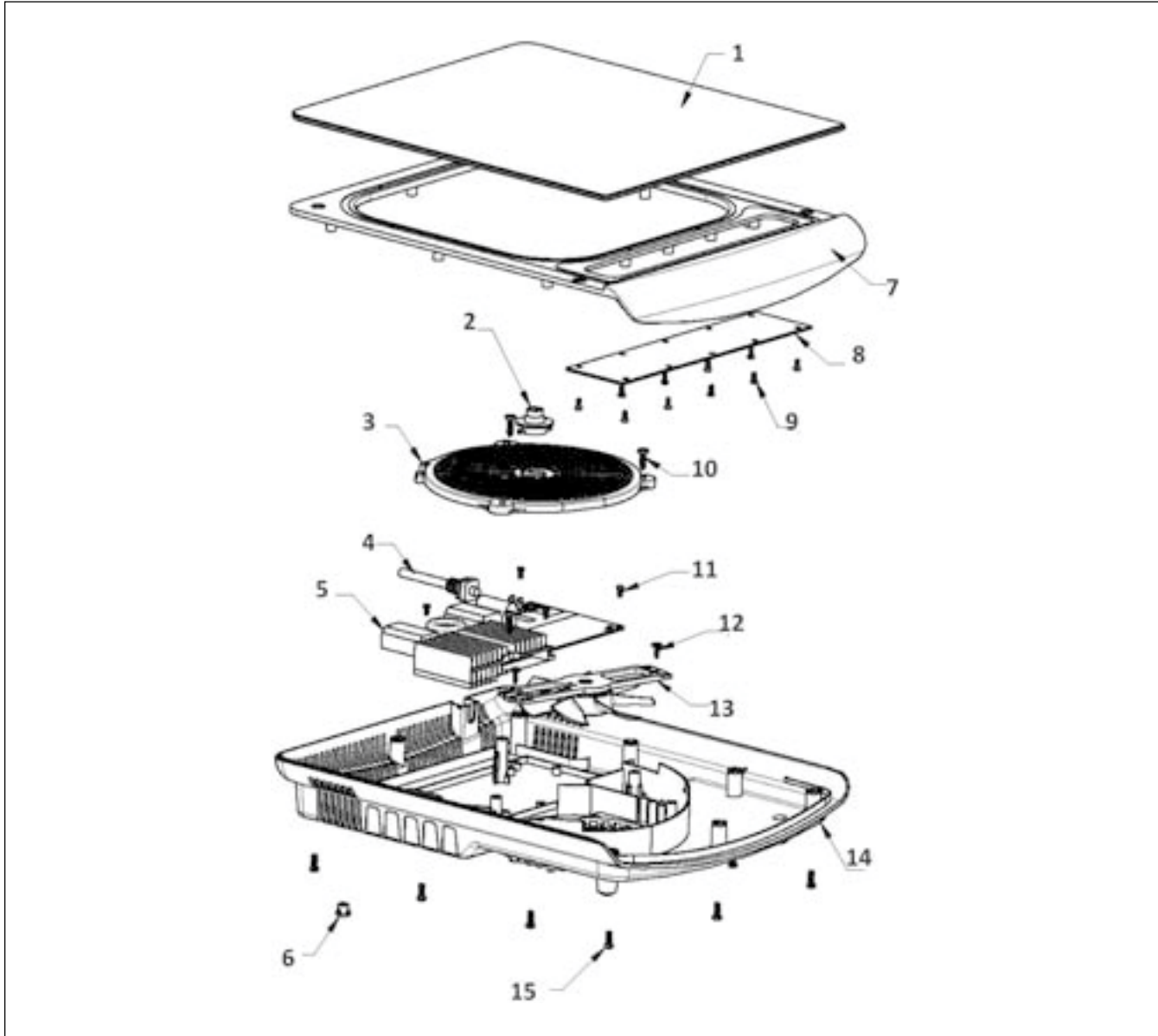


## Induction Cooker GL 3075



Induction Cooker GL 3075		
Ref. No.	Spare Part Name	SAP Code
	Plastic Top Cover	50002598
	Capacitor	50002608
	Ceramic Plate	50002603
	Control PCB	50002601
	Digital Display	50002609
	DIODE	50002611
	Heating Coil	50002602
	IC	50002607
	Main PCB	50002600
	Plastic Bottom Body	50002599
	Resistor	50002610
	Speaker	50002605