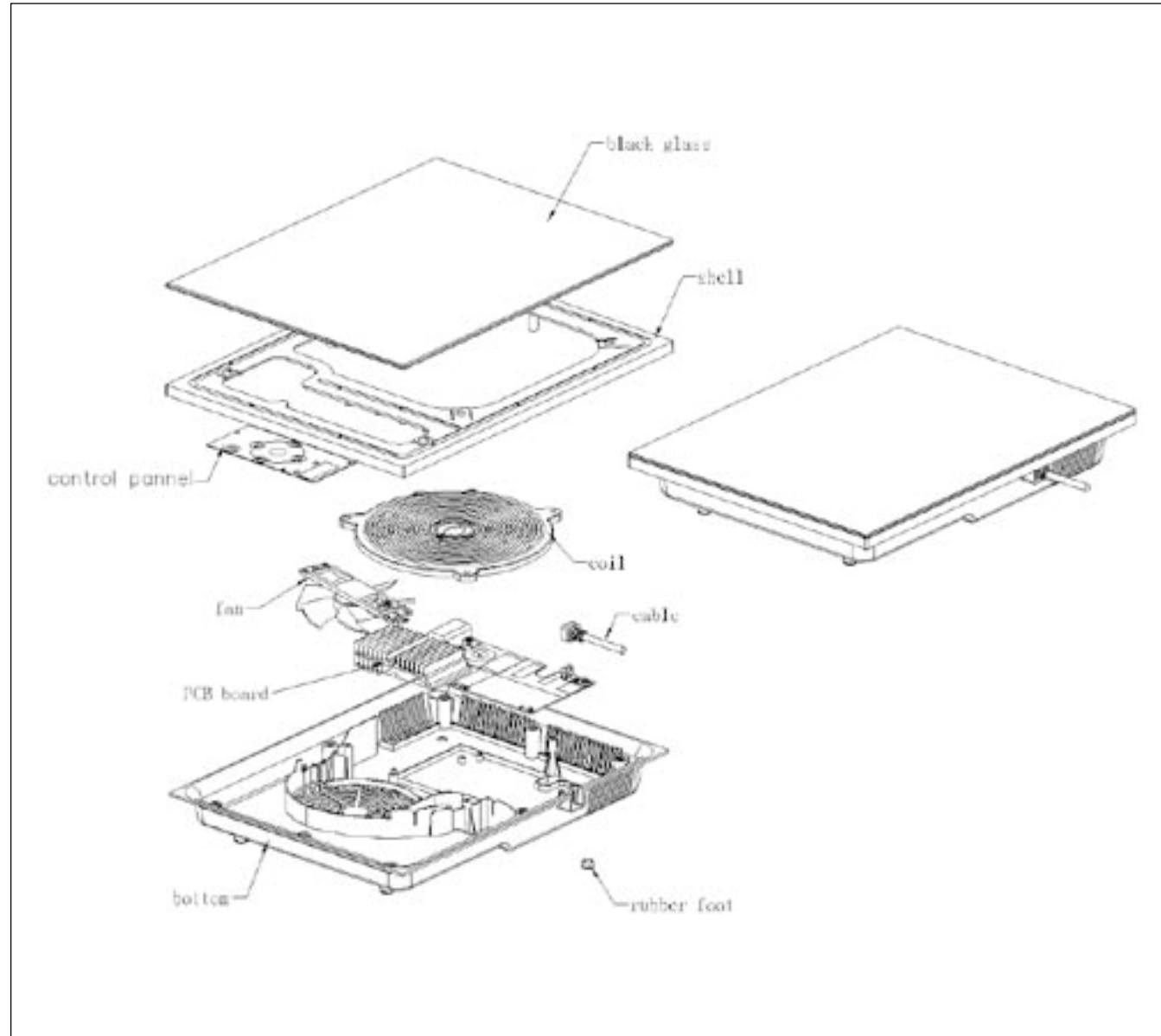


Induction Cooker GL 3077



Induction Cooker GL 3077		
Ref. No.	Spare Part Name	SAP Code
6	Upper Housing	50002494
5	Lower Housing	50002497
1	Crystal Glass	40002418
7	Coil	50002495
2	PCB-Control Panel	40002417
4	PCB-Main Board PCB	40002419
	Temprature Sensor	50002374
3	Fan	50002358
	Wire Lead With 3 Pin Plug	40002400
	Gift Box	40002401
	Main Wire Lead	40002399