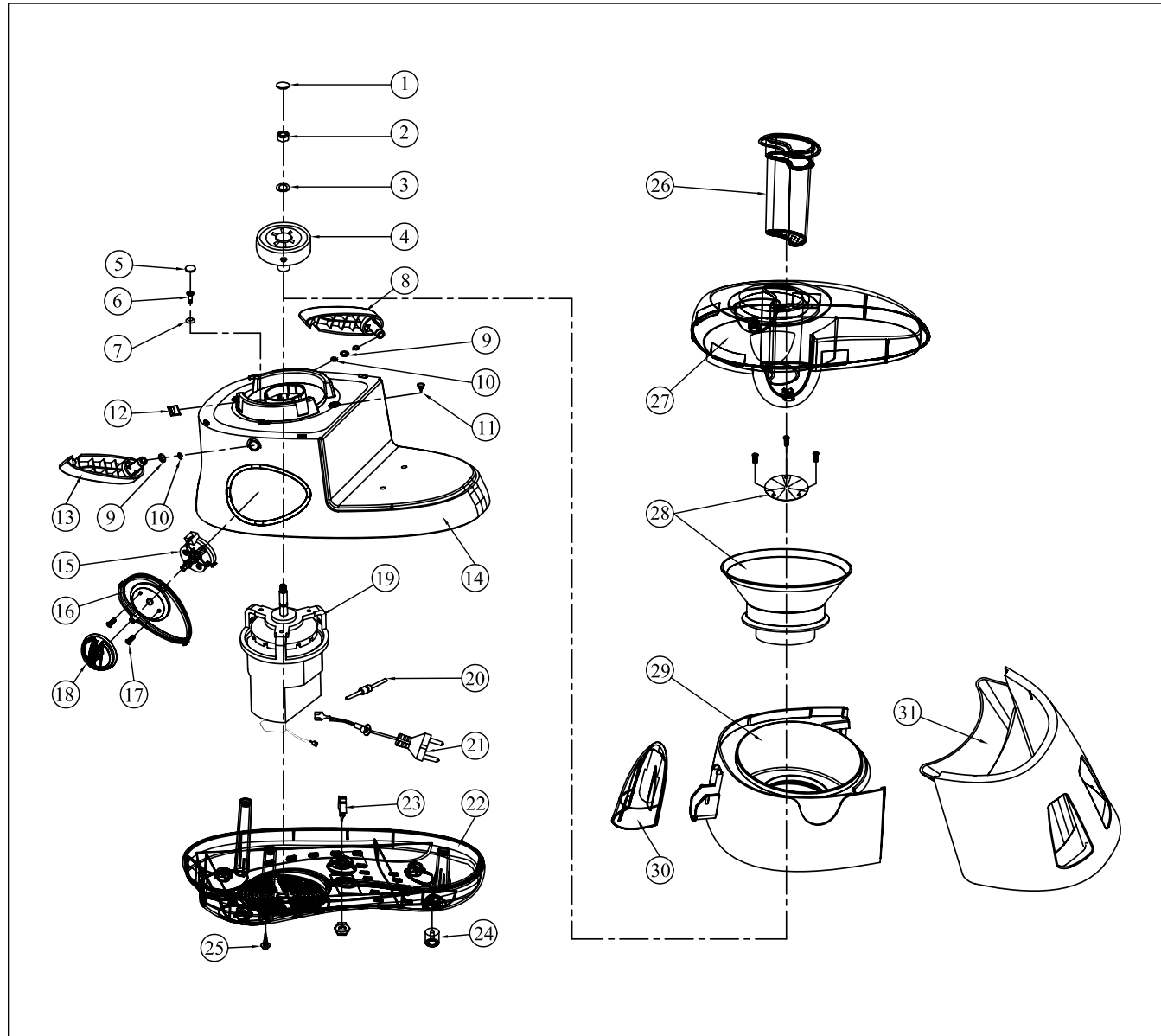


Juicer Mixer Grinder GL 4015 JU



| Juicer Mixer Grinder GL 4015 JU | | |
|---------------------------------|---------------------------|----------|
| Ref. No. | Spare Part Name | SAP Code |
| 1 | Rubber Cap For Coupler | 40001254 |
| 2 | Brass Nut M6 Motor | 40001350 |
| 3 | Spring Washer Dia 6.50 mm | 40001350 |
| 4 | Coupler Assy | 50001470 |
| 5 | Rubber Cap For M.M. Bolt | 40001255 |
| 6 | M.M. Bolt M5 | 40001350 |
| 7 | Silicon Sleeve | 40001256 |
| 8 | Handle Rear | 40002200 |
| 9 | Washer For Handle | 40001350 |
| 10 | E-Clip 7 mm | 40001350 |
| 11 | Resting Pad | 40002219 |
| 12 | Jar Lock | 40001350 |
| 13 | Handle Front | 40002199 |
| 14 | Main Body | 40002198 |
| 15 | Rotary Switch | 40001210 |
| 16 | Switch Plate | 40002204 |
| 17 | Screw # M4 x 10.00 mm | 40001350 |
| 18 | Knob | 40002205 |
| 19 | Motor Assy | 40001228 |
| 20 | Diode in 4007 | 50002013 |
| 21 | Main Lead 2 Pin | 40001303 |
| 22 | Base Plate | 40002201 |
| 23 | Circuit Breaker 2.0 Amp. | 40001211 |
| 24 | Rubber Feet | 40002206 |
| 25 | Screw # 8 x 16.00 mm | 40001350 |
| 26 | Pusher | 40002195 |
| 27 | Top Cover | 40002196 |
| 28 | Mesh Assy | 50000171 |

| Ref. No. | Spare Part Name | SAP Code |
|----------|-----------------|----------|
| 29 | Juicer Body | 40002197 |
| 30 | Spout Cover | 40002203 |
| 31 | Pulp Collector | 40002202 |