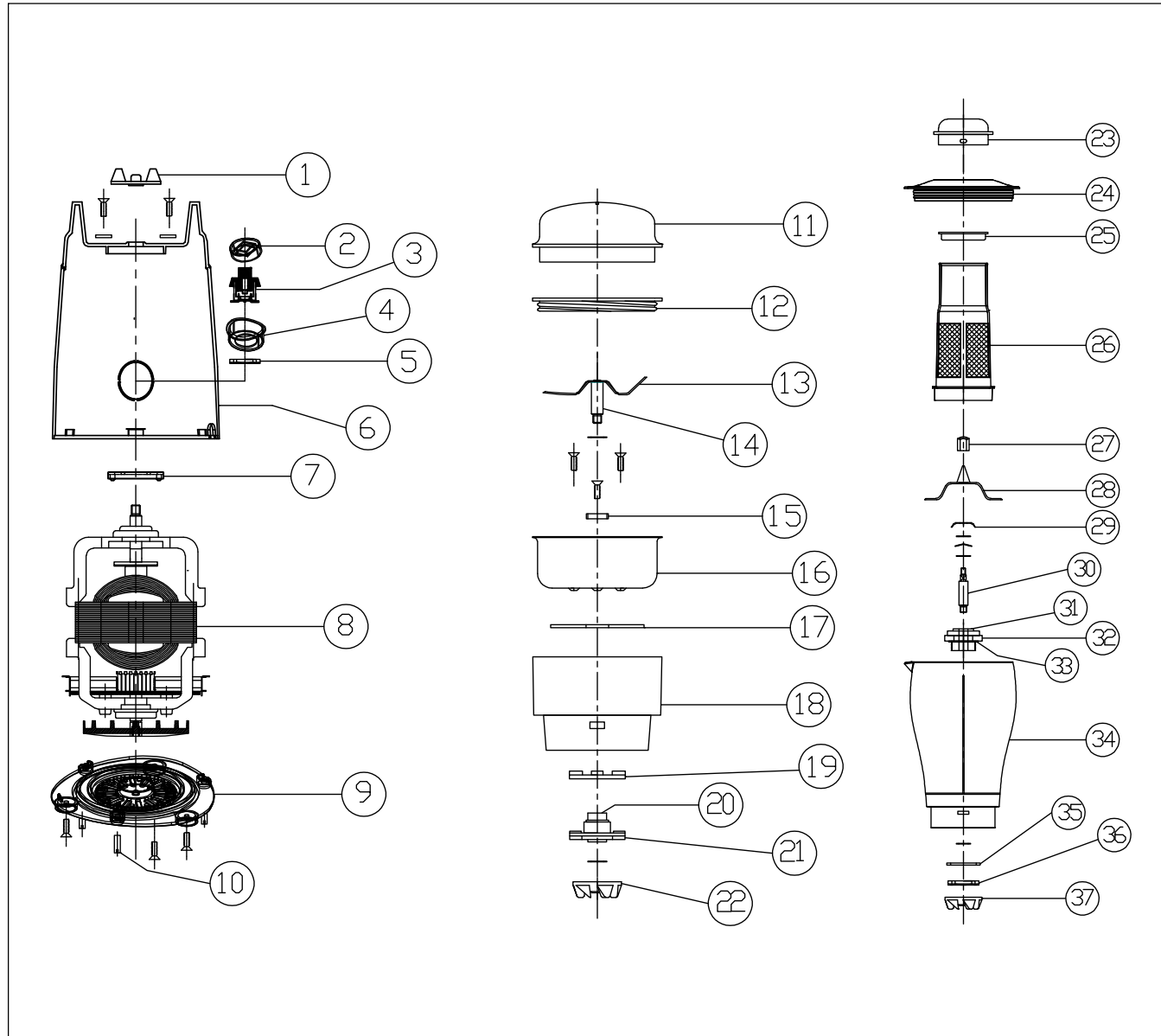


Blender Grinder GL 4045 B/G



Ref. No.	Spare Part Name	SAP CODE
1	Coupling 4014	40001557
2	Knob 4045	40002368
3	Switch 4045	40002377
4	Switch plate 4045	40002367
5	Hex nut	40001350
6	Main body 4045	40002366
7	Motor packing top 4045	40002379
8	Motor SA4045	40002362
9	Base plate 4045	40002369
10	Rubber feet 4045	40002378
11	Grinder jar lid 4045	40002373
12	Grinder jar lid gasket 4045	40002380
13	Grinder blade 4045	40002384
14	Spindle grinder 4045	40002388
15	Ring washer for bush 4045	40001350
16	S.S. Grinder cup 4045	40002382
17	Grinder jar packing 4045	40002381
18	Grinder cup housing 4045	40002372
19	Washer for housing 4045	40002375
20	Sint. Bush 0411-4025	40001536
21	Al. bush for grinder 4045	40002385
22	Coupling	40001557
23	R C Cap liquidiser jar 4014	40001386
24	Liquidiser jar lid 4045	40002371
25	Filter cap 4045	40002426
26	Fruit filter 4045	40002374
27	Dome Nut M6 L.H.	40001350
28	Liquidiser blade 4045	40002383

Ref. No.	Spare Part Name	SAP CODE
28	Liquidiser blade 4045	40002383
29	S. S. Cup washer	40001350
30	Chutney jar spindle 4025	40001518
31	Sint. Bush 19mm	40001391
32	Aluminium bush moulded 4045	40002386
33	O' Ring Grinder bush assembly	40001462
34	Liquidiser jar 4045	40002370
35	Nylon Washer	40001350
36	Hex nut for Al. bush 4045	40002387
37	Coupling 4014	40001557