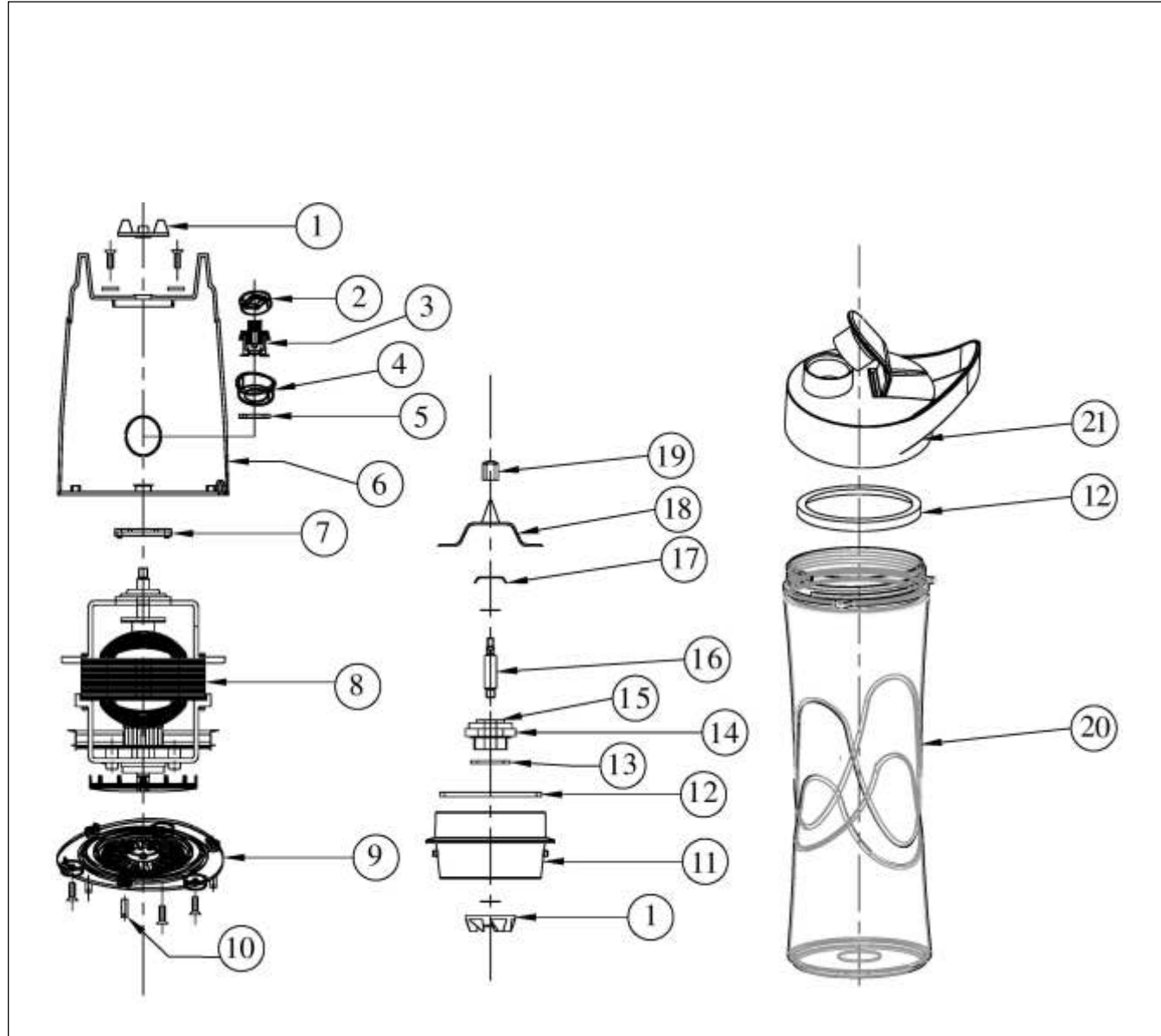


I Blender GL 4047



I-BLENDER GL-4047

Ref. No.	Spare Part Name	SAP CODE
1	Coupling 4014	40001557
2	Knob 4045	40002368
3	Switch 4045	40002377
4	Switch plate 4045	40002367
5	Dome nut M6 L.H.	40001350
6	Main body 4045	40002366
7	Motor packing top 4045	40002379
8	Motor SA4045	40002362
9	Base plate 4045	40002369
10	Rubber feet 4045	40002378
11	Collar for Blender Bottle 4047	40002629
12	Silicon Sealing Ring 4047	40002627
13	O' Ring Grinder bush assembly	40001462
14	Aluminium bush moulded 4045	40002386
15	Sint. Bush 19mm	40001391
16	Chutney Jar Spindle 4025	40001518
17	S. S. Cup washer	40001350
18	Blade 4047	40002630
19	Hex nut for Al. bush 4045	40002387
20	I-Blender Bottle 4047	40002628
21	Bottle Lid 4047	40002626
22	Printed Carton 4047	40002631
23	Master Carton 4047	40002632