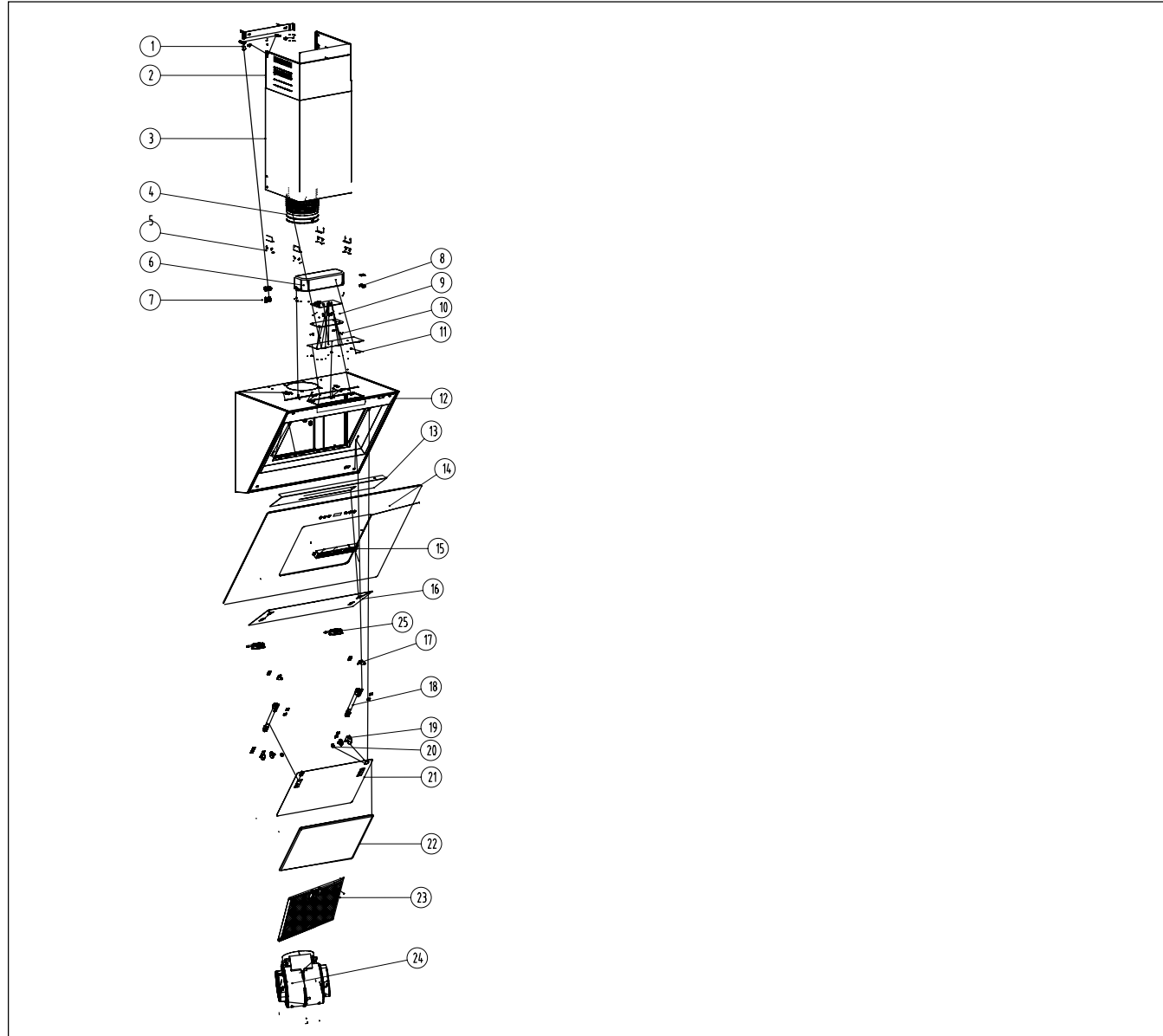


Designer Hood Chimney GL 6076



Designer Hood Chimney GL 6076		
Ref. No.	Part Name	Sap Code
1	Duct hook	
2	Inner duct	
3	Outer duct	
4	Plastic pipe	
5	Support Slice of duct cover	
6	Electrical box	
7	Wire Clip	
8	Wire groove	
9	Printing circuit board	
10	PCB fixing board	
11	Switch cover	
12	Blower box assembly	
13	hanging support for switch	
14	Big Glass panel	
15	Switch	
16	Down hanging support for glass	
17	Glass support	
18	Draw bar	
19	Draw bar bracket	
20	Anti-collision rubber pad	
21	Glass panel connection board	
22	Small Glass panel	
23	Aluminium filter	
24	Motor assembly	
25	LED lamp	