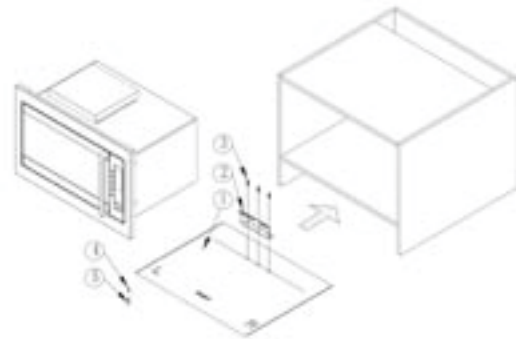


17L/25L/31L FULL BUILT-IN MICROWAVE OVEN INSTALLATION MANUAL



COMPONENTS

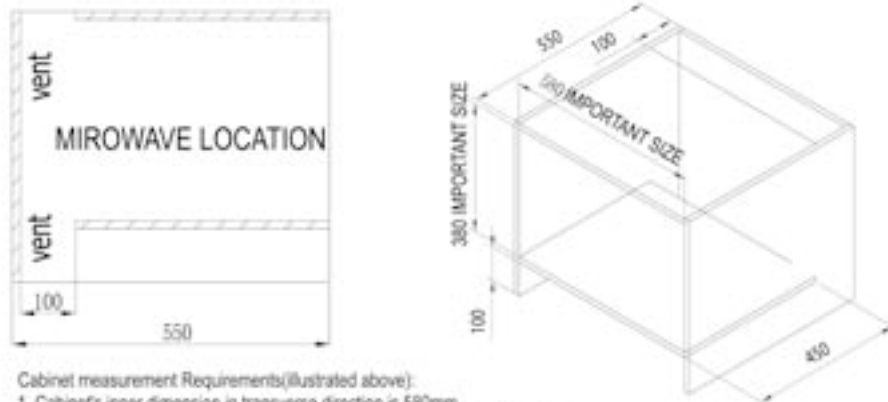
- 1. Plastic buckle setting paper 1PCS
- 2. orientation 1PCS
- 3. bolt $\varnothing 4 \times 10$ 3PCS
- 4. screw cover 1PCS
- 5. bolt $\varnothing 4 \times 35$ 1PCS

TRIM KIT SPECIFICATIONS

Cabinet Cavity dimensions
 Width 580mm
 Height 380mm
 Depth 550mm

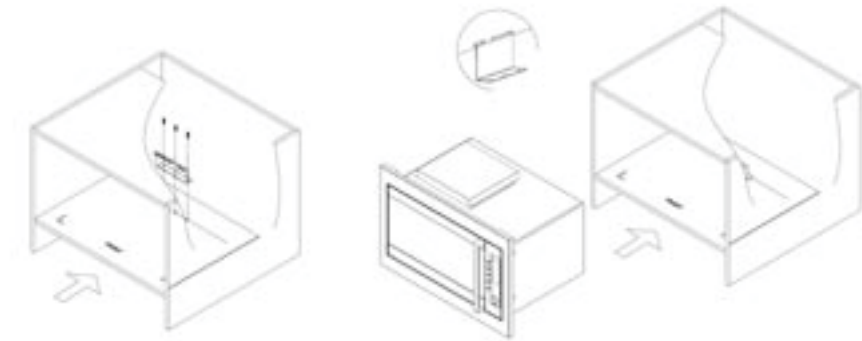
FRAME dimensions
 Width 592mm
 Height 390mm
 Depth 20mm

MICROWAVE OVEN CABINETRY



- Cabinet measurement Requirements(illustrated above):
1. Cabinet's inner dimension in transverse direction is 580mm.
This is the minimum distance from the left batten to right batten. Do not alter.
 2. Cabinet's inner dimension in longitudinal direction is 380mm.
This is the minimum distance from the left batten to right batten. Do not alter.
 3. Cabinet's depth should be no less than 550mm.
 4. Outside dimension of cabinet should be no less than 596mm,
as the frame length is 592mm.
 5. Cabinet's board less than 15mm or 20mm thick.

FRAME INSTALLATION STEPS



1. Cabinet must be finished as per cabinet dimensions. Put the plastic buckle setting paper(Component 1) on the bottom board of cabinet cavity. Keep the paper's front edge and the cabinet outside edge in one line. Then put the orientation(Component 2) on the paper and adjust their holes as per the hole position in the drawing. Then fix the bolt (Component 3).

2. Put the microwave oven into the cabinet and keep the microwave oven in a horizontal direction and keep the edge distance of two side as same. Then fix the orientation on then back of microwave oven.



3. Open the microwave oven, fix the bolt (Component 5) and beat it into the cabinet, then install screw cover (Component 4)