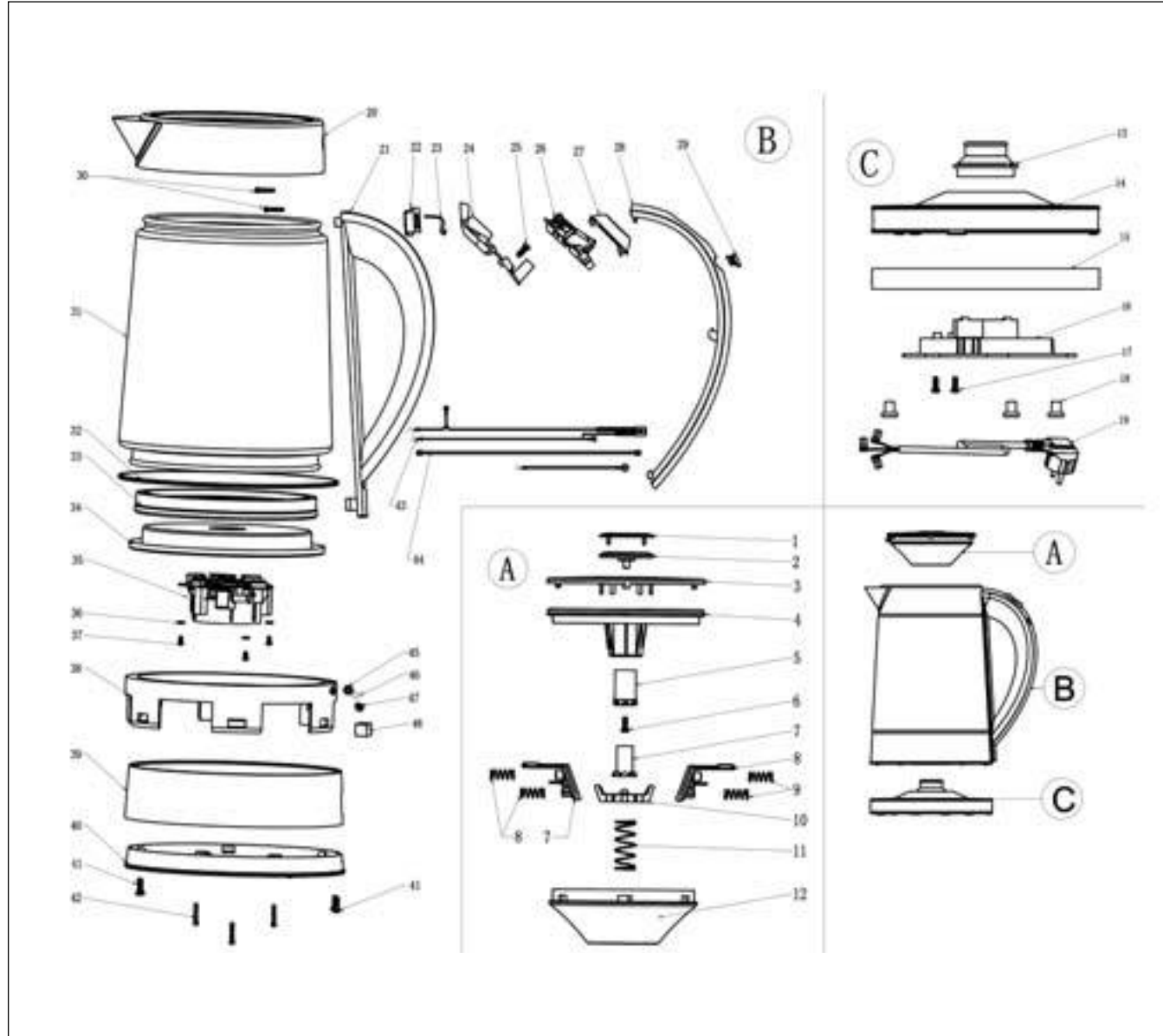


Kettle GL 9010



Kettle GL 9010	
Ref no	Spare Part Name
1	Open Knob Cover
2	Lid Open Knob
3	Upper Cover decoration patch
4	Upper Cover
5	Guide Thimble
7	Inner Guide Thimble
8	Left/Right Hold Pole
9	Lid Open Spring
10	Guide Trough
11	Spring
12	Lid Holder
13	Thermostat
14	Upper Cover of Panel
15	Panel Cover
16	Panel
18	Padding Foot
19	Power Cord Set
20	Upper circle of Kettle Housing
21	Handle
22	Handle fix piece
23	Switch Base
24	Vapour Hood
26	Switch
27	Switch Button
28	Handle Cover
29	LED Cover
31	Glass Housing
32	Bottom Circle of Kettle Housing
33	Heating Element Silicon Circle
34	Heating Element
35	Thermostat

Ref no	Spare Part Name
36	Pad
38	Heating Element Fasten Circle
39	Bottom Circle of Kettle Housing
40	Bottom Cover
41	Screw
42	Screw
43	Cincture
44	Guide Wire
45	M3 Nut
46	Spring Pad
47	Screw
48	Silicon Block